



TransferTest Mrs A + Teacher
Copy.

TransferTest.co.uk

ENTRANCE ASSESSMENT

Practice Paper 4

'Practice makes Progress'

English - Main Test

In this exercise there are some mistakes with **punctuation** or use of **capital letters**. On each numbered line there is either **one** mistake or **no** mistake. Find the group of words with the mistake in it and **mark its letter on your answer sheet**. If there is no mistake, mark **N**.

Punctuation Exercise

1 "I must stop King Minos and the minotaur," declared Theseus to his father!
A B C D / N

2 "Change your sail to white to show me you have been victorious," pleaded King
A aegeus.
D / N

3 Ariadne was wise, clever and beautiful. She came up with a plan to defeat
the terrifying minotaur.
A B C D / N

4 Theseus unravelled the string as he was making his way through the dark and
mysterious labyrinth.
D N

5 Theseus killed the minotaur and freed the young prisoner's bringing them
back to Athens.
A B C D / N

In this exercise you have to choose the **best** word, or **group of words**, to complete each numbered line so that the passage makes sense and is written in correct English. Choose the best answer and **mark its letter on your answer sheet**.

Grammar Exercise

6 Please finish all your homework

before	whilst	when	while	because
--------	--------	------	-------	---------

you go outside to play.

A	B	C	D	E
---	---	---	---	---

7 I couldn't take part in sports day

but	despite	because	and	although
-----	---------	---------	-----	----------

I broke my leg.

A	B	C	D	E
---	---	---	---	---

8 Lucy

play	plays	plaid	playing	playful
------	-------	-------	---------	---------

 by herself when her friend
Sophia is at school.

A	B	C	D	E
---	---	---	---	---

9 The car's tyres screeched

suddenly	suspiciously	silently	erratically
----------	--------------	----------	-------------

splendidly

 when the boy ran onto the road to get his ball.

A	B	C	D	E
---	---	---	---	---

10 Reuben hurried home from school to open his new game which had just

deliver	gotten	arrived	sent	receive
---------	--------	---------	------	---------

 in the post.

A	B	C	D	E
---	---	---	---	---

In this exercise there are some **spelling** mistakes. On each numbered line there is either **one** mistake or **no** mistake. Find the group of words with the mistake in it and **mark its letter on your answer sheet**. If there is no mistake, mark **N**.

Spelling Exercise

- 11 *assembly*
There was a school assemble about road safety after there was an accident outside the school last week.
A B C D N
- 12
Lewis and his friend Jack were worried about the group of older boys walking towards them, so they took *caution* and crossed the road.
A B C D N
- 13
The spy was nervous that she would be caught, but she stayed cool and *cam*.
A B C D N
- 14 *their*
The teacher was cross as the class noisily made there way through the school corridors on the way to the lunch hall.
A B C D N
- 15 *rain*
The impressive celebrations were halted by the unexpected downpour of *rein*.
A B C D N

Read the whole passage carefully, then answer the questions that follow.

'Hag Storm'

1. "Hey, Rab, d'you think if we dig deep enough we'll find buried
2. treasure?"
3. Gil poked the hard mud again with his hoe, upsetting the piles of
4. stones Rab was trying to rake into his basket. Rab rolled his eyes at his
5. younger brother and set to work picking them up one by one.
6. "We can dig all the way from Scotland to India and we still willnae
7. find the brains you're missing, you wee daftie," he muttered.
8. Clearing rocks from the barren field was back-breaking work, and
9. Rab was ready to drop from exhaustion. He was starting to regret
10. picking up all the biggest stones to save his brother's smaller arms.
11. Gil still had plenty of air left in his lungs to blether, and Rab was too
12. tired to keep up with his endless chatter.

13. "But back in the days of adventure, when William Wallace and his
14. brave lads were running about the country fighting the invaders,
15. maybe they hid some of their stash in the countryside, for safe
16. keeping, y'know?" Gil said eagerly, too excited by the thought of
17. ancient gold to notice Rab was ready to clobber him for prattling
18. instead of working.
19. "Aye, that's right. Maybe the bravest hero in all of Scotland chose
20. this God-forsaken spit of farmland to bury his army's money
21. hundreds of years afore," Rab snorted. "Maybe it's no a worthless
22. piece of dirt in the middle of nowhere after all. Maybe it's a treasure
23. chest waiting to be opened. So go find it, Gil, get digging." Rab
24. gave his brother a shove, directing him to the next patch to be
25. cleared.
26. "Ach, Rab, you're no fun anymore," Gil grumbled. "It's no that bad
27. here, is it?"

28. Rab's only reply was to toss another stone into his basket so hard
29. that it bounced out again. He sighed wearily and stretched, trying
30. to iron out all the kinks that had turned his back into a scrunched-up
31. accordion. Gil already knew the answer to that question anyhow.
32. They both missed their old life in the cottage at Alloway, with the
33. school across the road and their friends living nearby, ready for a
34. game of soldiers after lessons. Here, life was a fight for survival like
35. nothing Rab ever known.
36. Mount Oliphant looked pretty enough in October, Rab could admit
37. that at least. The sun shone gold on the newly harvested fields, and
38. a flock of wild geese looked like tiny sailboats swimming across the
39. endless blue of the sky. It seemed like the heavens were smiling
40. down on the farm they'd moved to. But Rab knew the prettiness
41. was all just a trick of the light, hiding the rotten truth beneath.

'Hag Storm' by Victoria Williamson

Please answer these questions. (Look at the passage again if you need to.) You should choose the **best** answer and mark its letter on your answer sheet.

16 In lines 4 and 5, Rab rolls his eyes at his younger brother. Why do you think he did this?

- A He got some dirt in his eyes.
- B He thought his brother's question was ridiculous.**
- C He liked his brother's question.
- D He was closing his eyes because he was tired.
- E He was looking to the left as he was about to lie to his brother.

17 Based on your reading of the passage, what are Rab's feelings towards his younger brother?

- A He looks up to his younger brother.
- B He thinks his younger brother is daft.**
- C He is furious at his younger brother.
- D He thinks his younger brother is brainy.
- E He is grateful to have a younger brother.

18 What is being suggested in the line, 'trying to iron out all the kinks that had turned his back into a scrunched-up accordion'? (Line 29 - 31)

- A Rab's back was making a noise like an accordion as he stretched.
- B Rab was stretching out his sore joints and muscles.**
- C Rab was ironing out the kinks in his work uniform.
- D Rab was carrying a scrunched-up accordion on his back.
- E Rab was putting iron and kinks into a scrunched-up accordion

19 Based on your reading of the passage, what were the boys digging for?

- A treasure
- B vegetables
- C soil
- D stones**
- E to get to India

20 Based on your reading of the passage, which of the words below would best describe Gil?

- A positive and chatty
- B chatty and negative
- C imaginative and argumentative
- D argumentative and negative
- E hardworking and negative

21 Based on your reading of lines 19 – 25, what word best describes how Rab responds to Gil's suggestions?

- A positivity
- B agreement
- C sarcasm
- D anger
- E pity

22 Based on your reading of lines 36 – 42, what were Rab's true thoughts on Mount Oliphant?

- A happy
- B satisfied
- C concerned
- D apathetic
- E gleeful

For these questions you have to **write your answers**, neatly, in the boxes provided on your answer sheet.

23 Which hyphenated two-word phrase tells us that the work was not easy? (Lines 1-20)

back-breaking

24 Which two-word phrase in lines 1-12 tells us that Gil talked a lot?

endless chatter,

25 What adverb in lines 28-35 means to do something with extreme tiredness?

Wearily.

26 What word in line 19 – 25 is opposite in meaning to the words 'most cowardly'?

bravest

27 Based on your reading of the passage, which country is the story set in?

Scotland.

28 What six-word phrase in lines 15-18 tells us that Rab was getting frustrated with his brother for talking instead of working?

'Rab was ready to clobber him'

Maths - Main Test

29 Look at the numbers below. What is the difference of the underlined digit in number A compared to the underlined digit in B?

U t hr
A 209.17 B 120.49

- A ten times greater
- B hundred times greater**
- C ten times less
- D hundred times less
- E thousand times greater

30 If the ³⁰last day of April is a Sunday, on which day would May 5th be?

- A Monday
- B Tuesday
- C Wednesday
- D Thursday
- E Friday**

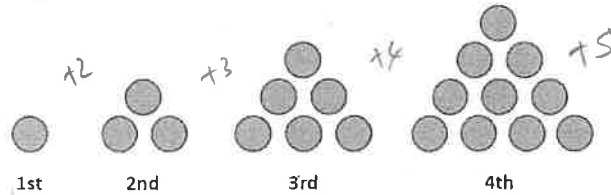
M
T
W
T
F

31 Look at the numbers below. Which one is not a factor of 32?

3 4 8 16 32

- A 3**
- B 4
- C 8
- D 16
- E 32

32 Look at the pattern below.



How many dots will be in the 7th sequence?

- A 12
- B 15
- C 18
- D 21
- E 28**

33 Look at the pattern from **Question 32** again. Which sequence will have 55 dots?

$$\underline{15} + 6 = \underline{21} + 7 = \underline{28} + 8 = \underline{36} + 9 = \underline{45} + 10 = \underline{55}$$

- A 6th
- B 7th
- C 8th
- D 9th
- E 10th**

34 Look at the sequence below.

$$\begin{array}{cc} \times 3 & \times 3 \\ 2, 6, 18, 54, \underline{162}, 486 \end{array}$$

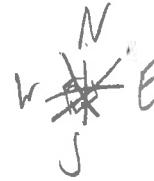
$$\begin{array}{r} 18 \\ 2 \times 3 \\ \hline 54 \end{array} \qquad \begin{array}{r} 54 \\ \times 3 \\ \hline 162 \end{array}$$

A number is missing from this sequence. What is the missing number?

- A 84
- B 108
- C 162**
- D 172
- E 243

35 Barney is going for a walk in the Mourne Mountains and is facing Northeast. He turns through three 90° turns clockwise. In what direction is Barney now facing?

- A Northwest
- B Northeast
- C Southeast
- D Southwest
- E West



36 Barney continues his walk and is now facing North. He knows his campsite is in a Southwesterly direction. How many degrees must Barney turn anti-clockwise to face the campsite?

- A 225°
- B 90°
- C 180°
- D 135°
- E 270°

$$\begin{array}{r} 90 \\ 45 \\ \hline 135^\circ \end{array}$$

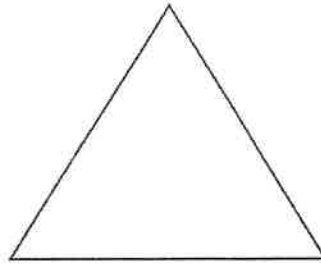
37 There is a sale on in an electrical shop. The shop is now selling a $\pounds 580$ TV with 20% discount. What is the new price of the TV?

- A $\pounds 58$
- B $\pounds 116$
- C $\pounds 464$
- D $\pounds 522$
- E $\pounds 560$

$$\begin{array}{r} 116 \\ 5 \overline{) 580} \\ \underline{-116} \\ 464 \end{array}$$

38

Look at the equilateral triangle below. The perimeter of this triangle is 27cm.



What is the length of one side of this shape?

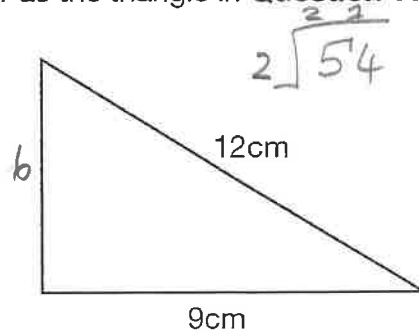
- A 7cm
- B 7.5cm
- C 8cm
- D 8.5cm
- E 9cm**

$27 \div 3 =$

39

The triangle below has the same perimeter as the triangle in Question 38. What is the area of the triangle?

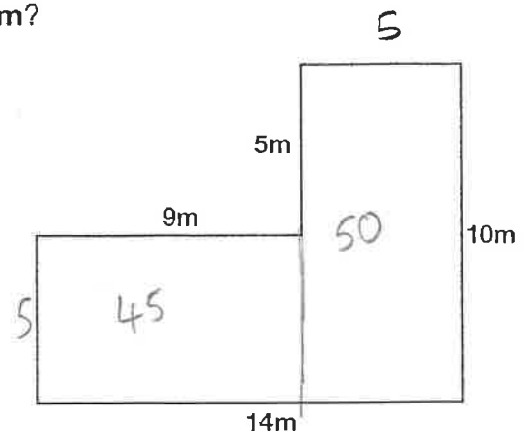
- A 18cm²
- B 27cm²**
- C 31.5cm²
- D 81cm²
- E 7cm²



40

Look at the floor plan of a new classroom. Some measurements have been shown. What is the area of the classroom?

- A 29m²
- B 48m²
- C 95m²**
- D 176m²
- E 185m²



41

Harrison is another year older and is getting an increase in his monthly pocket money. **It is going up by 25%. Harrison's pocket money used to be £14 a month.** How much pocket money will Harrison now get over a year?

- A £15.40
- B £17.50
- C £190
- D £201
- E £210**

$$\begin{array}{r} 17.50 \\ \times 12 \\ \hline \end{array}$$

$$\begin{array}{r} 17.50 \\ \times 10 \\ \hline 175.00 \\ + 17.50 \\ \hline 210.00 \end{array}$$

$$\begin{array}{r} 17.50 \\ + 17.50 \\ \hline 35.00 \end{array}$$

42

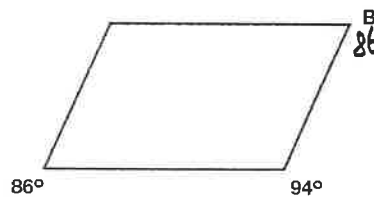
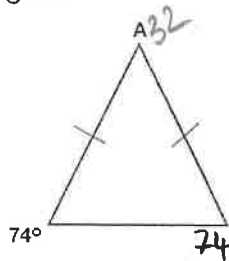
Sarah goes to the shop to buy some snacks. She buys **10** packets of sweets at **65p each**. How much **change** will she get from **£10**?

- A 65p
- B £3.45
- C £3.50**
- D £4.50
- E £6.50

$$6.50$$

43

Look at the two shapes below. One is an isosceles triangle and the other is a parallelogram.



What is the difference in size between Angle A and Angle B?

- A 32°
- B 86°
- C 118°
- D 54°**
- E 30°

$$\begin{array}{r} 180 \\ -148 \\ \hline 32 \end{array}$$

$$\begin{array}{r} 86 \\ -32 \\ \hline 54 \end{array}$$

44 Noah writes the **multiples of 3 starting at 3**. Blair writes all the **multiples of 4 starting at 4**. What is the **second number** that appears on **both** lists?

- A 12
- B 18
- C 24**
- D 36
- E 48

$\begin{array}{r} \underline{3} \\ 3 \\ 6 \\ 9 \\ 12 \\ 15 \\ 21 \\ \underline{24} \end{array}$	$\begin{array}{r} 4 \\ 8 \\ 12 \\ 16 \\ \underline{24} \end{array}$
---	---

45 Imogen takes a list of her best scores in her game. Her high scores are:

11 9 12 18 10

What is the **mean of her high scores**?

- A 9
- B 12**
- C 15
- D 18
- E 60

30
20
10

$5 \overline{)60}$

46 Aiden is 175cm tall. His sister Lucy is $\frac{4}{5}$ his height. What height is Lucy?

- A 1.4m**
- B 1.44m
- C 2.18m
- D 2.1m
- E 0.35m

$$\begin{array}{r} 035 \\ 5 \overline{)175} \end{array}$$

$$\begin{array}{r} 35 \\ \times 4 \\ \hline 140 \end{array}$$

47 A container can hold 2.75l. How many 300ml cups can be filled from this container?

A 27.5

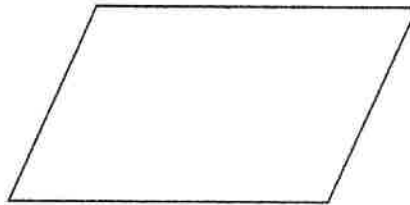
B 9

C 10

D 100

E 90

48 Think of the properties of a parallelogram.



Which of the following statements is false?

A A parallelogram has opposite angles the same size.

B A parallelogram has 2 pair of parallel lines.

C A parallelogram has no right angles.

D A parallelogram has angles adding to 360° .

E A parallelogram has 2 lines of symmetry.

49 Which of the fractions below is a mixed number for $\frac{27}{6}$?

A $6\frac{2}{7}$

B $4\frac{7}{6}$

C $3\frac{1}{3}$

D $6\frac{1}{4}$

E $4\frac{3}{6}$

50

Square the sum of 3 and 9.

- A 12
- B 24
- C 54
- D 144**
- E 729

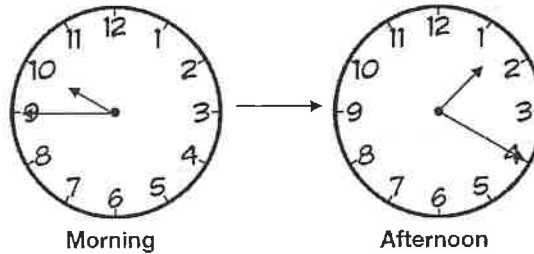
$12 \times 12 =$

For questions 51-56, you have to write your answers in the boxes provided on your answer sheet. The units of measurement have been given.

51

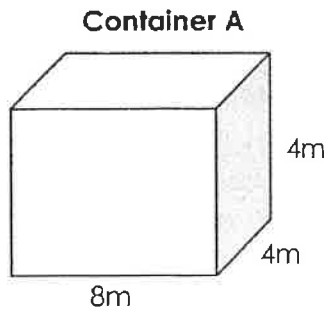
What is the difference in hours and minutes between the times on the two clocks shown?

3 hrs 35 min



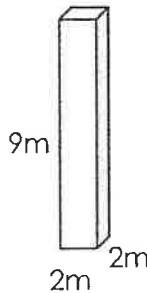
52

What is the difference between the container with the greatest volume and the container with the least volume? (volume not to scale)



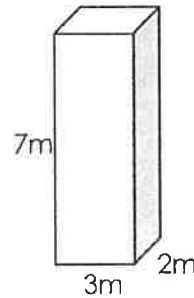
$$\begin{array}{r} 32 \\ \times 4 \\ \hline 128 \end{array}$$

Container B



$$4 \times 9 = 36$$

Container C



$$7 \times 6 = 42$$

$$\begin{array}{r} 128 \\ - 36 \\ \hline 92 \end{array} m^3$$

53 Below is a table of the **average temperatures** in European cities throughout the month of July.

	Belfast	Berlin	Lisbon	Moscow	Madrid	Oslo	Paris	Prague	Stockholm	Warsaw
Temp. (°C)	15	23	27	18	31	18	21	22	19	20

What is the **difference in temperature (°C) between the hottest city and coldest city?**

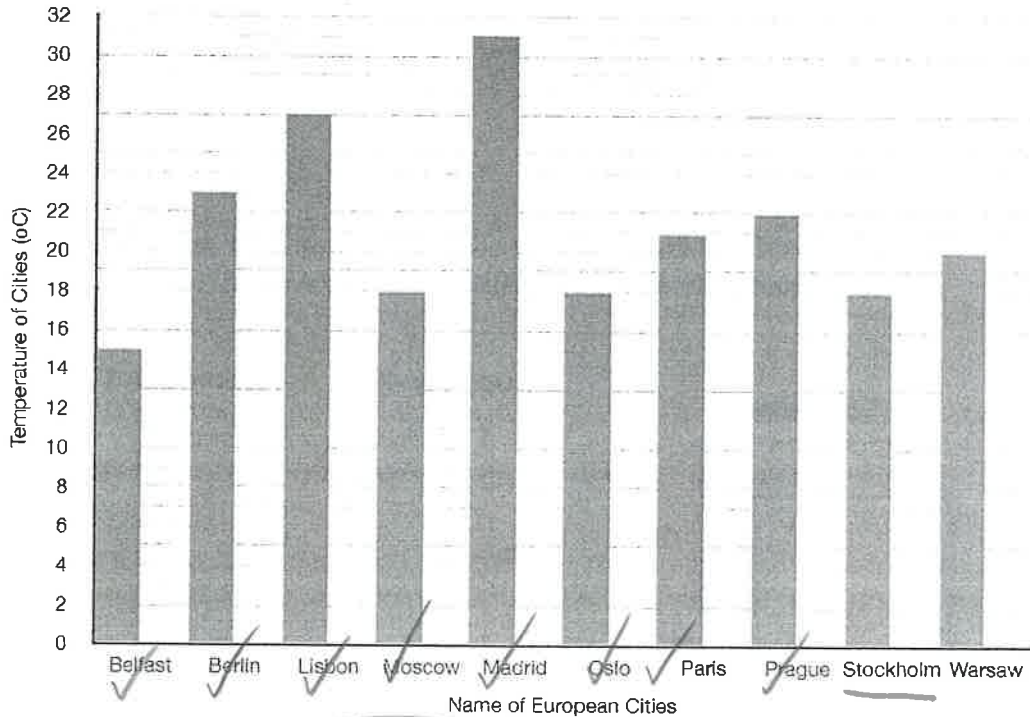
$$\begin{array}{r} 31 \\ - 15 \\ \hline 16 \end{array}$$

16°

54 Using the table in **Question 53**, which **two cities** have the **same average temperature?**

Moscow and Oslo

55 Using the table in **Question 53** and looking at the bar graph below, which city has had their **data added incorrectly** to the **bar graph?**



Stockholm

56



Look at the function machine. If the number **48 is the output** then **what number would be the input?**

$$\begin{array}{r} 48 \\ \times 2 \\ \hline 96 \end{array}$$
$$6 \overline{)96}$$

